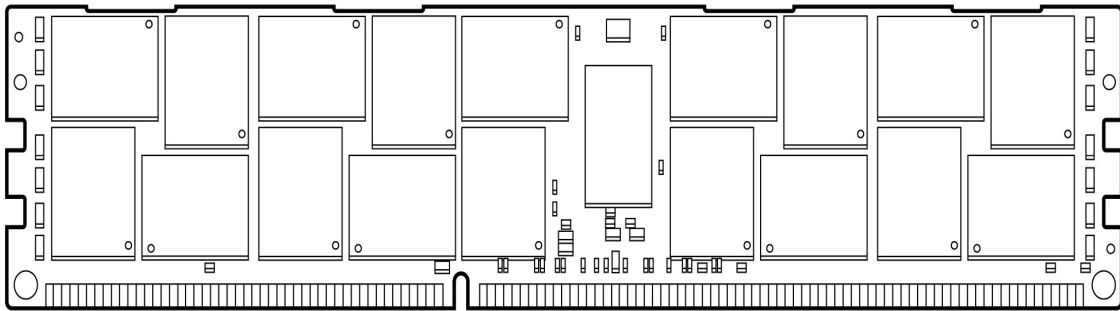


### Overview

DRAM quality and reliability are more important now than ever. Industry trends such as server virtualization, cloud computing, the use of large database applications and high performance computing have all increased the need for higher capacity memory with greater performance and uptime.

Since memory plays a critical role in your datacenter, HP Qualified Memory is sourced from tier 1 DRAM suppliers only. More importantly, the rigorous testing and industry leading qualification process extends beyond standard industry practice. HP SmartMemory verifies that your memory has been tested and performance tuned specifically on HP ProLiant servers. Most third-party memory vendors simply don't do this or aren't capable of platform-level testing. HP SmartMemory also ensures you are getting genuine HP Qualified Memory.



### What's New

- HP SmartMemory 3Rank 24GB@ 1333 low voltage memory for Intel Servers

### Models

#### Memory for Intel Servers

##### Registered DIMMs (RDIMM)

HP 4GB (1x4GB) Single Rank x4 PC3L-10600R (DDR3-1333) Registered CAS-9 Low Voltage Memory Kit	647893-B21
HP 4GB (1x4GB) Single Rank x4 PC3-12800R (DDR3-1600) Registered CAS-11 Memory Kit	647895-B21
HP 8GB (1x8GB) Dual Rank x4 PC3L-10600R (DDR3-1333) Registered CAS-9 Low Voltage Memory Kit	647897-B21
HP 8GB (1x8GB) Single Rank x4 PC3-12800R (DDR3-1600) Registered CAS-11 Memory Kit	647899-B21
HP 8GB (1x8GB) Dual Rank x4 PC3-12800R (DDR3-1600) Registered CAS-11 Memory Kit	690802-B21
HP 16GB (1x16GB) Dual Rank x4 PC3L-10600R (DDR3-1333) Registered CAS-9 Low Voltage Memory Kit	647901-B21
HP 16GB (1x16GB) Dual Rank x4 PC3-12800R (DDR3-1600) Registered CAS-11 Memory Kit	672631-B21
HP 24GB (1x24GB) Three Rank x4 PC3L-10600R (DDR3-1333) Registered CAS-9 Low Voltage FIO Memory Kit	700404-B21

**NOTE:** This is a Factory Installed Option (FIO) only.

##### Unbuffered with ECC DIMMs (UDIMM)

HP 2GB (1x2GB) Single Rank x8 PC3-12800E (DDR3-1600) Unbuffered CAS-11 Memory Kit	669320-B21
HP 2GB (1x2GB) Single Rank x8 PC3L-10600E (DDR3-1333) Unbuffered CAS-9 Low Voltage Memory Kit	647905-B21
HP 4GB (1x4GB) Dual Rank x8 PC3-12800E (DDR3-1600) Unbuffered CAS-11 Memory Kit	669322-B21
HP 4GB (1x4GB) Dual Rank x8 PC3L-10600E (DDR3-1333) Unbuffered CAS-9 Low Voltage Memory Kit	647907-B21
HP 8GB (1x8GB) Dual Rank x8 PC3-12800E (DDR3-1600) Unbuffered CAS-11 Memory Kit	669324-B21
HP 8GB (1x8GB) Dual Rank x8 PC3L-10600E (DDR3-1333) Unbuffered CAS-9 Low Voltage Memory Kit	647909-B21

### Overview

#### Load Reduced DIMMs (LRDIMM)

HP 32GB (1x32GB) Quad Rank x4 PC3L-10600L (DDR3-1333) Load Reduced CAS-9 Low Voltage Memory Kit 647903-B21

#### HyperCloud DIMMs (HDIMM)

HP 16GB (1x16GB) Dual Rank x4 PC3-10600H (DDR3-1333) HyperCloud CAS-9 FIO Memory Kit 678279-B21

**NOTE:** This is a Factory Installed Option (FIO) only.

#### Memory for AMD Servers

##### Registered DIMM (RDIMM)

HP 4GB (1x4GB) Single Rank x4 PC3L-10600R (DDR3-1333) Registered CAS-9 Low Voltage Memory Kit 647871-B21

HP 4GB (1x4GB) Single Rank x4 PC3-12800R (DDR3-1600) Registered CAS-11 Memory Kit 647873-B21

HP 8GB (1x8GB) Dual Rank x4 PC3L-12800R (DDR3-1600) Registered CAS-11 Memory Kit 695793-B21

HP 8GB (1x8GB) Dual Rank x4 PC3L-10600R (DDR3-1333) Registered CAS-9 Low Voltage Memory Kit 647877-B21

HP 8GB (1x8GB) Single Rank x4 PC3-12800R (DDR3-1600) Registered CAS-11 Memory Kit 647879-B21

HP 16GB (1x16GB) Dual Rank x4 PC3L-10600R (DDR3-1333) Registered CAS-9 Low Voltage Memory Kit 647883-B21

HP 16GB (1x16GB) Dual Rank x4 PC3-12800R (DDR3-1600) Registered CAS-11 Memory Kit 672633-B21

##### Load Reduced DIMMs (LRDIMM)

HP 32GB (1x32GB) Quad Rank x4 PC3L-10600L (DDR3-1333) Load Reduced CAS-9 Low Voltage Memory Kit 647885-B21

##### Ultra Low Voltage DIMMs (ULVDIMM) for AMD Servers

HP 4GB (1x4GB) Single Rank x4 PC3U-10600R (DDR3-1333) Registered CAS-9 Ultra Low Voltage Memory Kit 647869-B21

HP 8GB (1x8GB) Dual Rank x4 PC3U-10600R (DDR3-1333) Registered CAS-9 Ultra Low Voltage Memory Kit 647875-B21

HP 16GB (1x16GB) Dual Rank x4 PC3U-10600R (DDR3-1333) Registered CAS-9 Ultra Low Voltage Memory Kit 647881-B21

### Standard Features

**What is HP SmartMemory?** HP SmartMemory is unique technology introduced for ProLiant Gen8 servers that unlocks certain features available only with HP Qualified Server memory. HP SmartMemory enables ProLiant Gen8 systems to reliably identify and verify whether installed memory has passed HP's rigorous qualification and test processes. And because the memory is authenticated, extended memory performance features can be enabled through the system ROM. HP SmartMemory will provide a platform to allow future memory-related support enhancements through HP Active Health System, System Insight Management and Insight Control management software.

#### Memory Quality and Reliability

Today's IT environments are seeing larger, more complex applications, an increase of mission-critical data moving to the server, increasing demand for transaction processing and critical server consolidation. Memory is a critical component of the information system, significantly defining the systems reliability, performance, and increasingly the overall server and data center power footprint. This is why HP Qualified Server Memory undergoes intense rigorous qualification process that begins with using the highest quality components sourced from tier 1 DRAM suppliers. Only memory that meets HP's strict requirements are selected to begin the HP Memory Qualification process. Unlike most third party memory manufacturers, testing is performed and optimized on every HP ProLiant server platform to ensure upmost compatibility, performance and reliability.

#### Performance

Because HP SmartMemory is certified, performance tested and tuned for HP ProLiant, certain performance features are unique with HP SmartMemory. For example, while the industry supports DDR3-1333 RDIMM at 1.5V, today's Gen8 servers support DDR3-1333 RDIMM up to 3 DIMMs per channel at 1066MT/s running at 1.35V. This equates to up to 20% less power at the DIMM level with no performance penalty and now with HyperCloud Memory on DL360p Gen8 and the DL380p Gen8 servers will support 3 DIMMs per channel at 1333MT/s running at 1.5 V. In addition, the industry supports UDIMM at 2 DIMMs per channel at 1066MT/s. HP SmartMemory supports 2 DIMMs per channel 1333MT/s, or 25% greater bandwidth.

#### Power Efficiency

Memory plays an increasingly larger part of the server's power consumption and choosing the most efficient memory is a critical component in reducing your data center's overall power and cooling requirements. This savings translates to reduced operating cost and a faster return on investment, freeing up IT budget spent on power and cooling.

HP is committed to helping you get the maximum benefit per watt out of your IT infrastructure. For example, HP SmartMemory 1.35V DDR3-1333 Registered memory is engineered to achieve the same performance level as 1.5V memory. This also simplifies the HP memory portfolio making it easier to select the right memory.

#### Pre-Failure Alert

When used in conjunction with Systems Insight Manager, the SMART capable firmware enables fault prediction capabilities. If potential problems develop in one of the DIMMs, Systems Insight Manager lets you know in advance so you can have the DIMM replaced, before it fails, under warranty.

**NOTE:** HP memory is protected by a Pre-Failure Alert when used with HP Systems Insight Manager, allowing memory to be replaced before failure under warranty. In addition, HP memory is covered by a one or three-year limited on-site warranty period for the system in which they are installed. The memory warranty is automatically uplifted when used in a server for which a Care Pack is purchased. Please see the Support Services section below for additional services.

### Standard Features

#### HP Advanced Memory Error Detection Technology

In the ProLiant System ROM upgrade (version May 2011 or later), HP enhanced memory error protection with HP Advanced Memory Error Detection Technology. This innovation monitors several memory parameters and seeks out specific defects that either cause performance degradation or significantly increase the probability of a non-recoverable memory condition. By improving the prediction of critical memory error conditions, this technology prevents unnecessary DIMM replacement and increases server uptime.

For more information on the HP Advanced Memory Error Detection Technology:

<http://h20000.www2.hp.com/bc/docs/support/SupportManual/c02878598/c02878598.pdf>

#### HP Active Health System

Future ROM updates will enable HP SmartMemory to will work in conjunction with HP Active Health System which monitors changes to the server hardware configuration to enable lifecycle monitoring of memory health status. Having insight into memory related service events will shorten diagnosing problems and deliver rapid resolutions if and when failures occur. Whereas Pre-Failure Alert simply notifies the administrator of an impending failure, HP SmartMemory will provide insight with rich information on memory-related events like multi-bit errors or configuration issues.

#### Support Matrix

Please see the following URL for the latest list of supported servers: <http://www.hpproliantoptions.com/>

#### Warranty

For details on HP Qualified Options Limited Warranty visit:

<http://h18004.www1.hp.com/products/servers/platforms/warranty/index.html>

#### Other Resources

For information regarding HP Qualified Server Memory visit: [www.hp.com/products/memory](http://www.hp.com/products/memory)

For the latest updates on HP Qualified Options visit: [www.hp.com/go/hpqq](http://www.hp.com/go/hpqq)

#### Memory FAQs

##### What is HP SmartMemory?

HP SmartMemory is unique technology introduced for HP ProLiant Gen8 servers that unlocks certain features available only on HP Qualified Server memory. HP SmartMemory enables HP ProLiant Gen8 systems to reliably identify and verify whether installed memory has passed HP's rigorous qualification and test processes. And because the memory is authenticated, certain extended memory performance features can be enabled through the system ROM. HP SmartMemory will allow future support enhancements through HP Active Health System and other management software.

HP SmartMemory is ideal for customers who want assurance of buying genuine HP Qualified memory that is performance tuned for HP ProLiant servers, and capable of future enhanced support through HP Active Health and other management software.

##### What are the key benefits of HP SmartMemory?

- Increased reliability since the memory undergoes an authentication process that verifies qualification has been performed on HP platforms
- Performance tuned and optimized for HP ProLiant servers
- Future enhanced support through HP Active Health System

### Standard Features

#### **Is HP SmartMemory using proprietary memory technology?**

HP SmartMemory uses industry standard memory that has been validated on HP systems. Since the memory has completed HP's rigorous test processes on HP platforms, every memory characteristic is known to have met the highest standards.

#### **Will 3rd Party DDR3 memory work in my HP ProLiant server?**

Yes. HP supports the Customers' right to choose other memory suppliers but is confident in HP's quality and innovation. Features that are supported today for 3rd Party memory such as pre-failure alerting and error event logging in the IML will remain the same. Enhanced memory performance features that go beyond processor/chipset manufacturer POR specifications for memory speed and power requirements will be unique to HP SmartMemory as they are a benefit of our system-level engineering skills.

#### **Will previous G6/G7 DDR3 memory work in my HP ProLiant server?**

HP DIMMs from previous generations have not been qualified on ProLiant Gen8 servers. Certain HP SmartMemory features such as memory authentication and enhanced memory performance will not be supported.

#### **Will there be unique part numbers for Intel and AMD supported HP ProLiant servers?**

HP has different part numbers for AMD and Intel servers because there are slight timing differences in the memory controllers which can lead to different list of qualified parts.

#### **Will 1.35V low voltage memory run at 1.5V?**

Yes. 1.35V memory will safely run at 1.5V without harming the DIMM. RDIMMs operating at either 1.35V or 1.5V may be mixed in any order but the system will power them at the higher voltage.

#### **What is LRDIMM?**

LRDIMM or Load Reduced DIMM is an industry standard memory technology that has been adopted by Intel for their next generation Intel® Xeon® E5-2600 family processor that addresses the need for greater memory bandwidth and capacity. LRDIMM memory buffer reduces the electrical load to the memory controller and allows higher capacity memory to run at 3 DIMMs per channel. LRDIMM is for customers who require the maximum memory capacity.

#### **Will LRDIMMs work with RDIMMs or UDIMMs?**

LRDIMM, RDIMM and UDIMMs are all distinct memory technologies and cannot be mixed within a server. The majority of ProLiant Gen8 servers support RDIMM, UDIMM and LRDIMM.

#### **Why do some DIMMs include a heat spreader while other DIMMs of the same capacity, rank and speed do not?**

When a DIMM is first launched, it may require a heat spreader which allows the modules to maintain certain temperature when installed in the server. As power consumption tends to decrease with new DRAM revisions, the heat spreader is no longer required. The use of these DIMMs with or without heat spreaders has been validated both functionally and thermally. They can be mixed within a system without issues.

### Service and Support

#### Service and Support

#### HP Technology Services

HP Technology Services offers you technical consultants and support expertise to solve your most complex infrastructure problems. We help keep your business running, boost availability, and avoid downtime.

#### Protect your business beyond warranty with HP Care Pack Services

When you buy HP Options, it's also a good time to think about what level of service you may need. HP Care Pack services provide total care and support expertise with committed response choices designed to meet your IT and business need.

HP Foundation Care services deliver scalable support-packages for HP industry-standard servers and software. You can choose the type and level of service that is most suitable for your business needs. New to this portfolio is HP Collaborative Support. If you are running business critical environments, HP offers Proactive Care or Critical Advantage. These services help you deliver high levels of application availability through proactive service management and advanced technical response.

Here is the support service recommendation from the Foundation Care and Proactive Care portfolio. For customized support service solution, HP can work with you to tailor a service solution for your unique support requirements using broader services portfolio of Foundation Care and Proactive Care.

---

### Recommended HP Care Pack Services for optimal satisfaction with your HP product

#### Recommended Services

#### 3-Year HP 24x7 4 hour Response, Hardware Support Onsite Service

Provides you with rapid remote support and if required an HP authorized representative who will arrive on site any time and day of the year to begin hardware maintenance service within 4 hours of the service request being logged.

**OR**

#### 3-Year HP 24x7 4 hour Response, HP Collaborative Support

Offers customers a single point of contact for server problem diagnosis, hardware problem resolution, and basic software problem diagnosis, fault isolation, and resolution if available to HP. If the problem is with HP HW, the representative will arrive on site any time and day of the year to begin hardware maintenance service within 4 hours of the service request being logged. In case, the issue is with HP or supported third-party software product and cannot be resolved by applying known fixes, HP will contact the third-party vendor and create a problem incident on your behalf.

#### HP ProLiant Server Hardware Installation

Provides for the basic hardware installation of HP branded servers, storage devices and networking options to assist you in bringing your new hardware into operation in a timely and professional manner

---

### Service and Support

#### Related HP Care Pack Services to enhance your HP product experience

##### Related Services

##### **3-Year HP 24x7 4 hour Response, Proactive Care or Critical Advantage**

Helps optimize your systems and delivers high levels of application availability through proactive service management and advanced technical response. A skilled Technical Manager will own your query or issue end to end until resolved, delivering a single point of contact for you

**OR**

##### **3-Year HP 6-hour Onsite Call-to-Repair, HP Collaborative Support**

Offers customers a single point of contact for server problem diagnosis, hardware problem resolution to return the hardware in operating condition within 6 hours of the initial service request to the HP Global Solution Center, and basic software problem diagnosis, fault isolation, and resolution if available to HP. In case, the issue is with HP or supported third-party software product and cannot be resolved by applying known fixes, HP will contact the third-party vendor and create a problem incident on your behalf.

##### **HP Proactive Select Service**

Provides a flexible way to purchase HP best-in-class consultancy and technical services. You can buy Proactive Select Service Credits when you purchase your hardware and then use the credits over the next 12 months.

---

##### **Insight Remote Support**

Provides 24 X 7 remote monitoring, proactive notifications, and problem resolution. Learn more <http://www.hp.com/go/insightremotesupport>

---

##### **HP Support Center**

Personalized online support portal with access to information, tools and experts to support HP business products. Submit support cases online, chat with HP experts, access support resources or collaborate with peers. Learn more <http://www.hp.com/go/hpsc>

HP's Support Center Mobile App\* allows you to resolve issues yourself or quickly connect to an agent for live support. Now, you can get access to personalized IT support anywhere, anytime. HP Insight Remote Support and HP Support Center are available at no additional cost with a HP warranty, HP Care Pack or HP contractual support agreement.

\*HP' Support Center Mobile App is subject to local availability

---

##### **Parts and materials**

HP will provide HP-supported replacement parts and materials necessary to maintain the covered hardware product in operating condition, including parts and materials for available and recommended engineering improvements. Supplies and consumable parts will not be provided as part of this service; standard warranty terms and conditions apply. Parts and components that have exceeded their maximum supported lifetime and/or the maximum usage limitations as set forth in the manufacturer's operating manual or the technical product data sheet will not be provided, repaired or replaced as part of this service.

---

### Service and Support

**Warranty / Service Coverage**

For ProLiant servers and storage systems, this service covers HP-branded hardware options qualified for the server, purchased at the same time or afterward, internal to the enclosure, as well as external monitors up to 22" and tower UPS products; these items will be covered at the same service level and for the same coverage period as the server unless the maximum supported lifetime and/or the maximum usage limitation has been exceeded. Coverage of the UPS battery is not included; standard warranty terms and conditions apply.

The defective media retention service feature option applies only to Disk or eligible SSD/Flash Drives replaced by HP due to malfunction. It does not apply to any exchange of Disk or SSD/Flash Drives that have not failed. SSD/Flash Drives that are specified by HP as consumable parts and/or that have exceeded maximum supported lifetime and/or the maximum usage limit as set forth in the manufacturer's operating manual or the technical data sheet are not eligible for the defective media retention service feature option.

---

**For more information**

To learn more on services for HP ESSN Options, please contact your HP sales representative or HP Authorized Channel Partner. Or visit: <http://www.hp.com/services/proliant> or [www.hp.com/services/bladesystem](http://www.hp.com/services/bladesystem)



## Technical Specifications

For detailed memory configuration rules and guidelines, please use the Online DDR3 Memory Configuration Tool:

[www.hp.com/go/ddr3memory-configurator](http://www.hp.com/go/ddr3memory-configurator)

### Memory Subsystem Architecture

The memory subsystem architecture is dependent on the ProLiant Gen8 server platform.

For servers using the Intel® Xeon® E5-2600 family processor series:

- **16 DIMM slots:** Four memory channels per installed processor with two DIMMs per channel for a total of eight (8) DIMMs or a grand total of sixteen (16) DIMMs for the server. Up to 32GB capacity DIMMs are supported for 512GB of memory (16 DIMM slots x 32GB per DIMM).
- **24 DIMM slots:** Four memory channels per installed processor with three DIMMs per channel for a total of twelve (12) DIMMs or a grand total of twenty-four (24) DIMMs for the server. Up to 32GB capacity DIMMs are supported for 768GB of memory (24 DIMM slots x 32GB per DIMM).

For servers using the Intel® Xeon® E5-2400 family processor series:

- **12 DIMM slots:** Three memory channels per installed processor with two DIMMs per channel for a total of six (6) DIMMs or a grand total of twelve (12) DIMMs for the server. Up to 32GB capacity DIMMs are supported for 384GB of memory (12 DIMM slots x 32GB per DIMM).

For servers using the AMD Opteron 6200 family processor series:

- **16 DIMM slots:** Four memory channels per installed processor with two DIMMs per channel for a total of eight (8) DIMMs or a grand total of sixteen (16) DIMMs for the server. Up to 32GB capacity DIMMs are supported for 512GB of memory (16 DIMM slots x 32GB per DIMM).
- **24 DIMM slots:** Four memory channels per installed processor with three DIMMs per channel for a total of twelve (12) DIMMs or a grand total of twenty-four (24) DIMMs for the server. Up to 32GB capacity DIMMs are supported for 768GB of memory (24 DIMM slots x 32GB per DIMM).

For platform specific memory details please refer to the HP ProLiant user guide at: <http://www.hp.com/support>.

### General Memory Population Rules and Guidelines:

- Install DIMMs only if the corresponding processor is installed.
- If only one processor is installed in a two processor system, only half of the DIMM slots are available.
- To maximize performance, it is recommended to balance the total memory capacity between all installed processors and load the channels similarly whenever possible.
- When two processors are installed, balance the DIMMs across the two processors.
- White DIMM slots denote the first slot to be populated in a channel.
- Place the DIMMs with the highest number of ranks in the white slot when mixing DIMMs of different ranks on the same channel.
- Do not mix UDIMMs, RDIMMs or LRDIMMs.
- Quad rank RDIMMs are not supported in HP ProLiant Gen8 servers.
- Quad rank LRDIMMs are capable of up to three DIMMs per channel.
- RDIMMs operating at either 1.35V or 1.5V may be mixed in any order, but the system will power them at the higher voltage.
- DIMMs of different speeds may be mixed in any order; the server will select a common optimal speed.
- The maximum memory speed is a function of the memory type, memory configuration, and processor model.
- The maximum memory capacity is a function of the memory type and number of installed processors.
- To realize the performance memory capabilities listed in this document, HP SmartMemory is required.

### Memory Configuration Exceptions:

### Technical Specifications

- The Intel Xeon E5-2620 processor model does not support DIMMs at 1.35V. The system will default to 1.5V operation.

#### Intel Gen8 Supported Memory Bandwidth

DIMM Type ->	Registered Dimms (RDIMMs)								Load Reduced (LRDIMMs)	Unbuffered with ECC DIMMs (UDIMMs)			
	Single Rank (1R)		Dual Rank (2R)	Dual Rank (2R)	Single Rank (1R)	Dual Rank (2R)	Dual Rank (2R)	Three Rank (3R)		Quad Rank (4R)	Single Rank (1R)	Single Rank (1R)	Dual Rank (2R)
DIMM Capacity ->	4GB	4GB	8GB	8GB	8GB	16GB	16GB	24GB	32GB	2GB	2GB	4GB	4GB
DIMM Native Speed (MT/s) ->	1333	1600	1333	1600	1600	1333	1600	1333	1333	1333	1600	1333	1600
Voltage	LV	Std	LV	Std	Std	LV	Std	LV	LV	LV	Std	LV	Std

#### SLOTS THAT CAN BE POPULATED

12 slot servers	12	12	12	12	12	12	12	n/a	12	12	12	12	12
16 slot servers	16	16	16	16	16	16	16	16	16	16	16	16	16
24 slot servers	24	24	24	24	24	24	24	n/a	24	16	16	16	16
32 slot server	32	32	32	32	32	32	32	n/a	32	n/a	n/a	n/a	n/a
48 slot servers	48	48	48	48	48	48	48	n/a	48	n/a	n/a	n/a	n/a
64 slot servers#	64	64	64	64	64	64	64	n/a	64	n/a	n/a	n/a	n/a

#### MAXIMUM CAPACITY (GB)\*

12 slot servers	48	48	96	96	96	192	192	n/a	384	24	24	48	48
16 slot servers	64	64	128	128	128	256	256	384	512	32	32	64	64
24 slot servers	96	96	192	192	192	384	384	n/a	768	32	32	64	64
32 slot servers	128	128	256	256	256	512	512	n/a	1024	n/a	n/a	n/a	n/a
48 slot server	192	192	384	384	384	768	768	n/a	1536	n/a	n/a	n/a	n/a
64 slot servers#	256	256	512	512	512	1024	1024	n/a	2048	n/a	n/a	n/a	n/a

#### POPULATED DIMM SPEED (MT/s)

1 DIMM Per Channel	1333	1600	1333	1600	1600	1333	1600	n/a	1333***	1333	1600	1333	1600
2 DIMM Per Channel	1333	1600	1333	1600	1600	1333	1600	1333###	1333***	1333****	1600	1333****	1600
3 DIMM Per Channel	1066**	1333##	1066**	1333##	1333##	1066**	1333##	n/a	1066	n/a	n/a	n/a	n/a

Memory speed is a function of the processor QPI bus speed.

\* Maximum capacity will vary based on individual server platform qualification schedule

\*\* For HP SmartMemory, RDIMM support 3DPC@ DDR3-1066 at 1.35V. Third party memory may only support up to 3DPC@DDR3-1066 at 1.5V.

\*\*\* LRDIMM enables 3 DIMMs per channel. HP SmartMemory will support up to 3DPC@DDR3-1066 at 1.35V. Third party memory may only support 3DPC @DDR3-1066 at 1.5V.

### Technical Specifications

\*\*\*\* For HP SmartMemory, UDIMM is supported at 2DPC@DDR3-1333. Third party memory may only support up to 2DPC@DDR3-1066.  
 # All configurations on 64 slot server run at DDR3-1066.  
 ## RBSU setting required  
 ### Only supported on BL460c

#### AMD Gen8 Supported Memory Bandwidth

DIMM Type ->	Registered Dimms (RDIMMs)						Load Reduced (LRDIMMs)
	Single Rank (1R)			Dual Rank (2R)			
DIMM Rank ->	Single Rank (1R)			Dual Rank (2R)			Quad Rank (4R)
DIMM Capacity ->	4GB	4GB	8GB	8GB	16GB	16GB	32GB
DIMM Native Speed (MT/s) - >	1333	1600	1600	1333	1333	1600	1066
Voltage	LV/ULV	Std	Std	LV/ULV	LV/ULV	Std	LV
<b>SLOTS THAT CAN BE POPULATED</b>							
16 slot servers	16	16	16	16	16	16	16
24 slot servers	24	24	24	24	24	24	24
<b>MAXIMUM CAPACITY (GB)*</b>							
16 slot servers	64	64	128	128	256	256	512
24 slot servers	96	96	192	192	384	384	768
<b>POPULATED DIMM SPEED (MT/s)</b>							
1 DIMM Per Channel	1333	1600	1600	1333	1333	1600	1333
2 DIMM Per Channel	1333	1600	1600	1333/ 1066 <sup>2</sup>	1333/ 1066 <sup>2</sup>	1600	1333
3 DIMM Per Channel	1066	1066	1066	1066/ 800 <sup>3</sup>	1066/ 800 <sup>3</sup>	1066	800 <sup>4</sup>
<sup>1</sup> Maximum capacity will vary based on individual server platform. <sup>2</sup> Ultra Low Voltage 8GB and 16GB dual rank operate at 1066MT/s speed in 2 DPC configurations. <sup>3</sup> Ultra Low Voltage 8GB and 16GB dual rank operate at 800MT/s speed in 3 DPC configurations. <sup>4</sup> LRDIMM capable of 3 DIMMs per channel.							

#### Memory Speed by Processor Model

HP ProLiant Gen8 Intel® Xeon® E5-2600 Series Processor Family:	
Processor Models	Supported Memory Speeds
E5-2690, E5-2680, E5-2670, E5-2667, E5-2665, E5-2660, E5-2650, E5-2650L, E5-2643, E5-2637, E5-2537	1600/1333/1066MHz
E5-2640, E5-2630, E5-2630L, E5-2620	1333/1066MHz
E5-2609, E5-2603	1066MHz

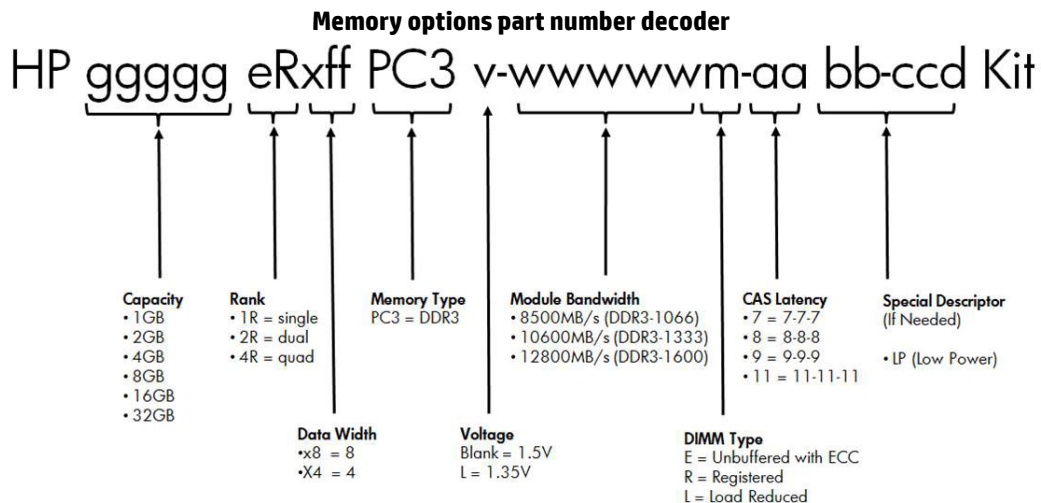
### Technical Specifications

HP ProLiant Gen8 Intel® Xeon® E5-2400 Series Processor Family:	
Processor Models	Supported Memory Speeds
E5-2470, E5-2450	1600/1333/1066MHz
E5-2450L, E5-2440, E5-2430, E5-2420	1333/1066MHz
E5-2430L, E5-2407, E5-2403	1066MHz

HP ProLiant Gen8 AMD Series Processor Family:	
Processor Models	Supported Memory Speeds
6204, 6212, 6220, 6230HE, 6234, 6238, 6262HE, 6272, 6274, 6276, 6278, 6282SE, 6284SE	1600/1333/1066MHz

**NOTE:** Capacity references are rounded to the common gigabyte (GB) values.

- 2GB = 2,048MB
- 4GB = 4,096MB
- 8GB = 8,192MB
- 16GB = 16,384MB
- 32GB = 32,768MB



### Technical Specifications

**Environment-friendly  
Products and Approach****End-of-life Management  
and Recycling**

Hewlett-Packard offers end-of-life HP product return, trade-in, and recycling programs in many geographic areas. For trade-in information, please go to: <http://www.hp.com/go/green>. To recycle your product, please go to: <http://www.hp.com/go/green> or contact your nearest HP sales office. Products returned to HP will be recycled, recovered or disposed of in a responsible manner.

The EU WEEE directive (2002/95/EC) requires manufacturers to provide treatment information for each product type for use by treatment facilities. This information (product disassembly instructions) is posted on the Hewlett Packard web site at: <http://www.hp.com/go/green>. These instructions may be used by recyclers and other WEEE treatment facilities as well as HP OEM customers who integrate and re-sell HP equipment.

---

© Copyright 2012 Hewlett-Packard Development Company, L.P.

The information contained herein is subject to change without notice.

Xeon and Intel are registered trademarks of Intel Corporation. The only warranties for HP products and services are set forth in the express warranty statements accompanying such products and services. Nothing herein should be construed as constituting an additional warranty. HP shall not be liable for technical or editorial errors or omissions contained herein.